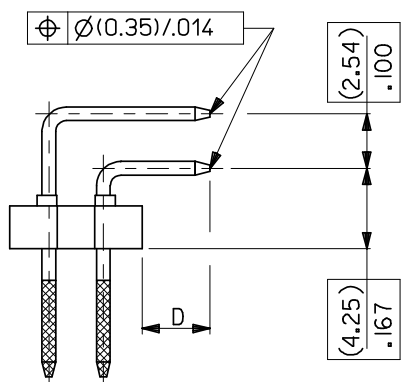
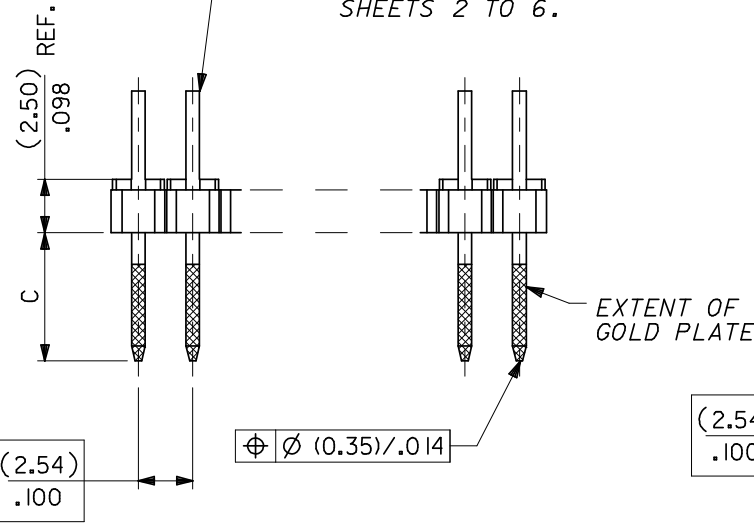


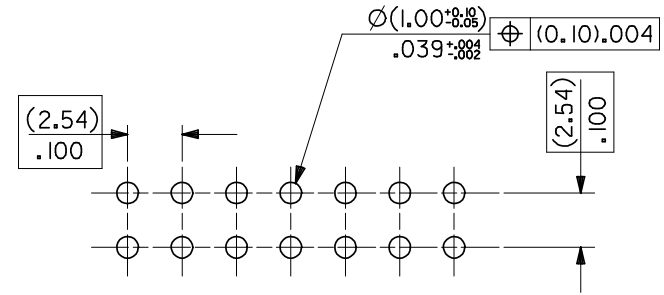
WAFER: 15% GLASS FILLED POLYESTER  
TO UL 94V-0.  
COLOUR : BLACK.

PINS: (0.635)/.025 SQ.  
BRASS WIRE.  
PLATED AS PER  
SHEETS 2 TO 6.



NOTES

1. FOR ASSY NUMBERS WITH FINISH OPTIONS  
AND DIM'S C & D SEE SHEETS 2 TO 6.



RECOMMENDED P.C. BOARD HOLE PATTERN

CKT SIZE	DIM." A"		DIM." B" ( $\begin{smallmatrix} -0.20 \\ -0.35 \\ -0.008 \\ -0.014 \end{smallmatrix}$ )		CKT SIZE	DIM." A"		DIM." B" ( $\begin{smallmatrix} \pm 0.20 \\ \pm .008 \end{smallmatrix}$ )	
2X 1			(2.54)	.100	2X21	(50.80)	2.000	(53.34)	2.100
2X 2	(2.54)	.100	(5.08)	.200	2X22	(53.34)	2.100	(55.88)	2.200
2X 3	(5.08)	.200	(7.62)	.300	2X23	(55.88)	2.200	(58.42)	2.300
2X 4	(7.62)	.300	(10.16)	.400	2X24	(58.42)	2.300	(60.96)	2.400
2X 5	(10.16)	.400	(12.70)	.500	2X25	(60.96)	2.400	(63.50)	2.500
2X 6	(12.70)	.500	(15.24)	.600	2X26	(63.50)	2.500	(66.04)	2.600
2X 7	(15.24)	.600	(17.78)	.700	2X27	(66.04)	2.600	(68.58)	2.700
2X 8	(17.78)	.700	(20.32)	.800	2X28	(68.58)	2.700	(71.12)	2.800
2X 9	(20.32)	.800	(22.86)	.900	2X29	(71.12)	2.800	(73.66)	2.900
2X10	(22.86)	.900	(25.40)	1.000	2X30	(73.66)	2.900	(76.20)	3.000
2X11	(25.40)	1.000	(27.94)	1.100	2X31	(76.20)	3.000	(78.74)	3.100
2X12	(27.94)	1.100	(30.48)	1.200	2X32	(78.74)	3.100	(81.28)	3.200
2X13	(30.48)	1.200	(33.02)	1.300	2X33	(81.28)	3.200	(83.82)	3.300
2X14	(33.02)	1.300	(35.56)	1.400	2X34	(83.82)	3.300	(86.36)	3.400
2X15	(35.56)	1.400	(38.10)	1.500	2X35	(86.36)	3.400	(88.90)	3.500
2X16	(38.10)	1.500	(40.64)	1.600	2X36	(88.90)	3.500	(91.44)	3.600
2X17	(40.64)	1.600	(43.18)	1.700	2X37	(91.44)	3.600	(93.98)	3.700
2X18	(43.18)	1.700	(45.72)	1.800	2X38	(93.98)	3.700	(96.52)	3.800
2X19	(45.72)	1.800	(48.26)	1.900	2X39	(96.52)	3.800	(99.06)	3.900
2X20	(48.26)	1.900	(50.80)	2.000	2X40	(99.06)	3.900	(101.60)	4.000

NOTES  
2. RECOMMENDED PCB THICKNESS: 1.6MM  
3. PRODUCT SPECIFICATION: PS-99020-0001

P EC NO: E2009-0087 DRWN: BMAGUIRE 2008/08/12 CHKD: 2008/08/12 APPR: BMAGUIRE 2008/08/13 M	REV	DESCRIPTION

QUALITY SYMBOLS ▽=0 ∇=0	GENERAL TOLERANCES (UNLESS SPECIFIED)	
	mm	INCH
	4 PLACES ± ---	± ---
	3 PLACES ± ---	± ---
	2 PLACES ± ---	± ---
	1 PLACE ± ---	± ---
	ANGULAR ± ---°	
DRAFT WHERE APPLICABLE MUST REMAIN WITHIN DIMENSIONS		

DRAWN BY		DATE
CHECKED BY		DATE
APPROVED BY		DATE
MATERIAL NO.		DOCUMENT NO.
SEE CHART		SDA-90122
SIZE A3	THIS DRAWING CONTAINS INFORMATION THAT IS PROPRIETARY TO MOLEX INCORPORATED AND SHOULD NOT BE USED WITHOUT WRITTEN PERMISSION	

SCALE ---	DESIGN UNITS METRIC	THIRD ANGLE PROJECTION
C-GRID III DUAL ROW RIGHT ANGLE HEADER		
molex MOLEX INCORPORATED		
SHEET NO. 1 OF 6		

PART NO. SEE CHART  
 DWG. NO. SDA-90122

CIRCUIT SIZE	PLATING TYPE A	PLATING TYPE E	PLATING TYPE F
	PART NO.	PART NO.	PART NO.
2 X 1	90122-0121	90122-0761	90122-0921
2 X 2	↑ -0122	↑ -0762	↑ -0922
2 X 3	-0123	-0763	-0923
2 X 4	-0124	-0764	-0924
2 X 5	-0125	-0765	-0925
2 X 6	-0126	-0766	-0926
2 X 7	-0127	-0767	-0927
2 X 8	-0128	-0768	-0928
2 X 9	-0129	-0769	-0929
2 X 10	-0130	-0770	-0930
2 X 11	-0131	-0771	-0931
2 X 12	-0132	-0772	-0932
2 X 13	-0133	-0773	-0933
2 X 14	-0134	-0774	-0934
2 X 15	-0135	-0775	-0935
2 X 16	-0136	-0776	-0936
2 X 17	-0137	-0777	-0937
2 X 18	-0138	-0778	-0938
2 X 19	-0139	-0779	-0939
2 X 20	-0140	-0780	-0940
2 X 21	-0141	-0781	-0941
2 X 22	-0142	-0782	-0942
2 X 23	-0143	-0783	-0943
2 X 24	-0144	-0784	-0944
2 X 25	-0145	-0785	-0945
2 X 26	-0146	-0786	-0946
2 X 27	-0147	-0787	-0947
2 X 28	-0148	-0788	-0948
2 X 29	-0149	-0789	-0949
2 X 30	-0150	-0790	-0950
2 X 31	-0151	-0791	-0951
2 X 32	-0152	-0792	-0952
2 X 33	-0153	-0793	-0953
2 X 34	-0154	-0794	-0954
2 X 35	-0155	-0795	-0955
2 X 36	-0156	-0796	-0956
2 X 37	-0157	-0797	-0957
2 X 38	-0158	-0798	-0958
2 X 39	↓ -0159	↓ -0799	↓ -0959
2 X 40	90122-0160	90122-0800	90122-0960

DIM C (±0.20 / ±.008)  
 (6.75) .266

DIM D (±0.25 / ±.010)  
 (2.90) .114

NOTES:  
 FOR PLATING VARIATIONS SEE  
 ENG.STD. SDES-99000-0003.

STANDARD PRODUCTS

FOR PREVIOUS DRAWING ISSUES SEE MRI.	H SEE SHEET I.	LTR REVISIONS	DIMENSIONS SHOWN ( METRIC ) INCH <small>UNLESS OTHERWISE SPECIFIED TOLERANCES: ANGULAR ± 1/2°</small>	DRWG BY <b>DB</b>	REVISE ONLY ON CAD SYSTEM		SHL REV.									
			<table border="1"> <tr><th>INCH</th><th>(METRIC)</th></tr> <tr><td>3 PLACE ± . ---</td><td></td></tr> <tr><td>2 PLACE ± . ---</td><td>± ---</td></tr> <tr><td>1 PLACE ± ---</td><td>± ---</td></tr> </table>	INCH	(METRIC)	3 PLACE ± . ---		2 PLACE ± . ---	± ---	1 PLACE ± ---	± ---	CHK'D BY	TITLE <b>C-GRID III DUAL ROW RIGHT ANGLE HEADER</b>			
			INCH	(METRIC)												
			3 PLACE ± . ---													
2 PLACE ± . ---	± ---															
1 PLACE ± ---	± ---															
DRAFT WHERE APPLICABLE MUST REMAIN WITHIN DIMENSIONS	APP'D BY	SHEET NO. DATE 20F 16/ 7/87														
DESIGN DIMENSION (PRIMARY) <input type="checkbox"/> IN. <input checked="" type="checkbox"/> (MM)	SCALE	PART NO. SDA-90122		DWG NO.	SIZE B											
EQUIVALENT DIMENSION (SECONDARY) <input type="checkbox"/> IN. <input checked="" type="checkbox"/> (MM)		SEE CHART														